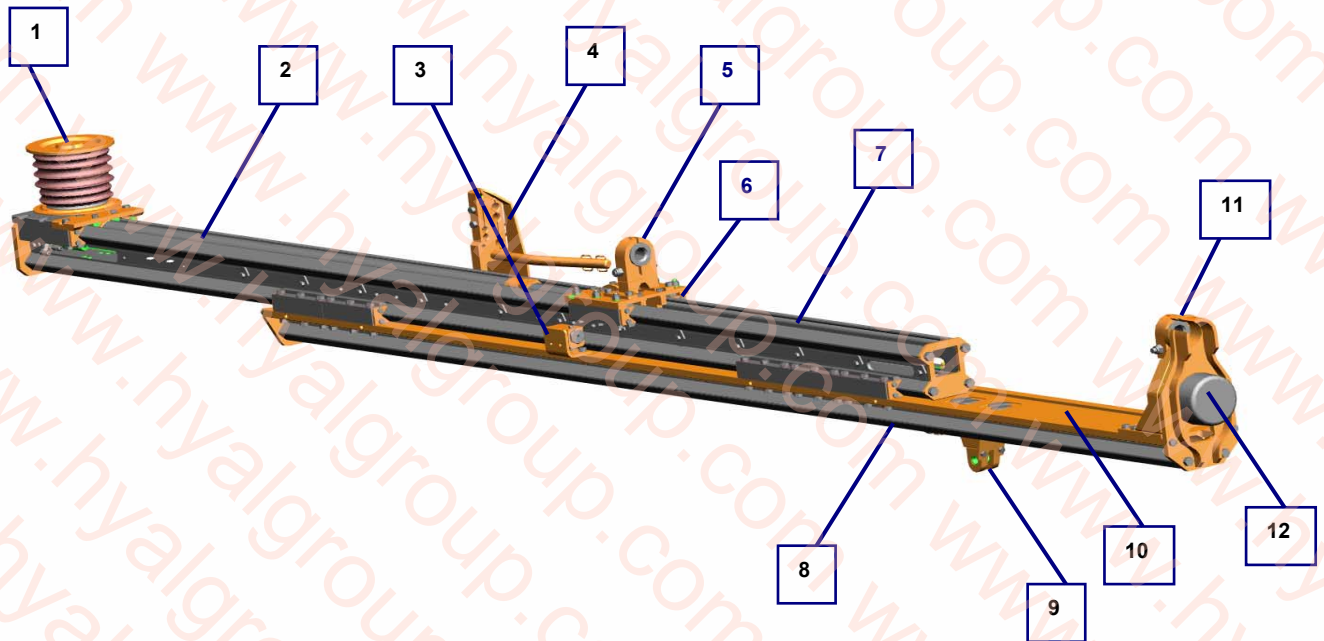


TFX 500 TELESCOPIC CYLINDER FEED



APPLICATION

TFX 500 telescopic feeds are designed for Tamrock face drilling jumbos with HLX5 series rock drills. A versatile feed for face drilling, bolt hole drilling and cross-cuttings in a limited space where both long and short rods have to be used.

DESCRIPTION

The design of the feeds aims at simplicity of structure and ease of maintenance. The TFX feed consists of TF feed and TFX extension kit.

When the TFX 500 feed is in minimum length, short holes can be drilled and while in maximum length, long holes can be drilled. The extension of feed can be adjusted stepless between minimum and maximum.

During drilling the buffer is pushed to the rock by feed extension cylinder. The TF feed beam moves on the lower beam by lower feed cylinder.

The beams are made of special aluminum profile with sliding surfaces faced with stainless steel strips.

The drill rod centralizers are equipped with hardened steel wear pieces and are designed for optimum visibility and durability.

MAIN COMPONENTS

1. Hose reel
2. Feed cylinder
3. Impulse cylinders for stop-and-return automatics
4. Hose support
5. Travelling centralizer
6. Feed wire ropes and rope tensioning assembly
7. Feed beam
8. Lower feed cylinder
9. Bracket for feed extension cylinder
10. Lower feed beam
11. Front drill rod centralizer
12. Buffer

OPTIONAL EQUIPMENT

- TRR 1 hydraulic drill rod retainer for extension drilling
- Internal hosing
- Connections parts for boom
- Connections parts for rock drill
- Centralizer wear pieces of different sizes

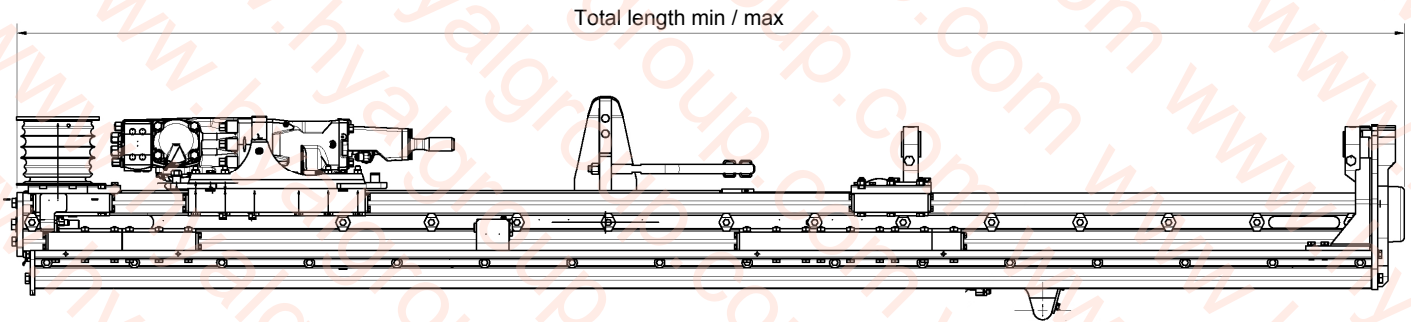
TECHNICAL DATA

Max feed force	25 kN
Free speed	0.5 m/s

Email:
sales@hyalgroupp.com

TFX 500 TELESCOPIC CYLINDER FEED

DIMENSIONS



* The TFX feed doesn't include the rock drill

TFX 500	6/12	8/14	10/16
Total length (mm)	3480 / 5310	4090 / 5920	4700 / 6530
Feed travel (mm)	1610 / 3440	2220 / 4050	2830 / 4660
Net Weight (kg)	636	673	710
With optional TRR1 rod retainer: - 1. rod length (ft)	6, 8, 10, 12	6, 8, 10, 12	6, 8, 10, 12
With following TB booms	40, 60, 90, 120, 150	40, 60, 90, 120, 150	60, 90, 120, 150
With following B26 booms	F, XLF, NV, XLNV	F, XLF, NV, XLNV	F, XLF, NV, XLNV

HAOYUAN GROUP

Tel : +86-23 6780 8639

Fax : +86-23 6780 8636

Mobile : +86-132 7271 6845

Email: sales@hyalgroupp.com

Skype: chin robinxi

Whatsapp: +86-132 7271 6845

Add: Airport Industrial Park, Yubei District, Chongqing, China